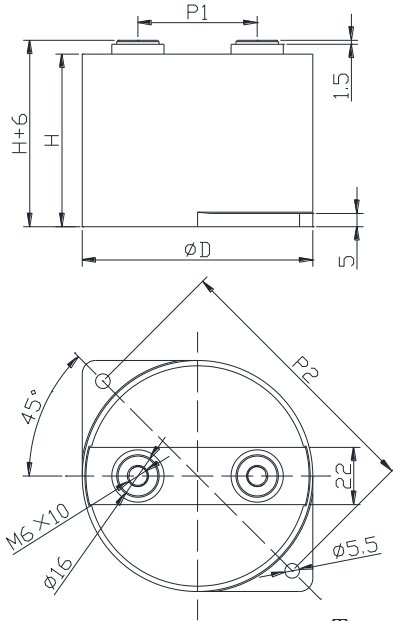
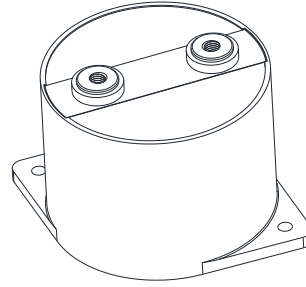


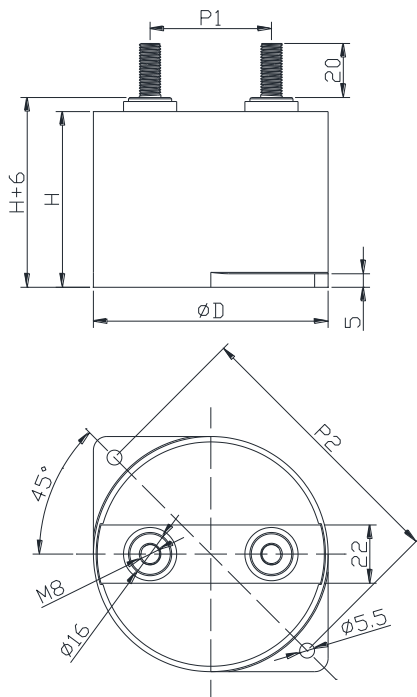
塑料外壳干式直流滤波电容器
 DC-Link Capacitor (Dry-Type, Plastic case)
外形图 Outline Drawing(mm)



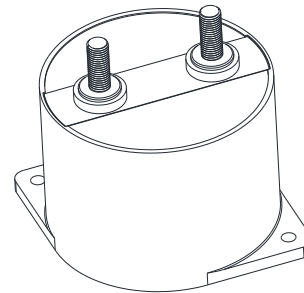
Type A



WLE Dimension code		
$\phi D \pm 1.0$	$P1 \pm 1.0$	$P2 \pm 1.0$
87	45	101
115	60	133



Type B



WLE Dimension code		
$\phi D \pm 1.0$	$P1 \pm 1.0$	$P2 \pm 1.0$
87	45	101
115	60	133

■ 特点

- 金属化聚丙烯或安全膜结构
- 塑料外壳，环氧树脂灌封
- 直流滤波电路中可替代电解电容器
- 等效串联电阻小，能承受较大的纹波电流
自感小

■ 主要用途

- 风能发电用变频器
- 焊接设备，电梯，电机驱

■ Features

- Metallized polypropylene or safe film structure
- Plastic case, filled with epoxy resin
- Used in DC-Link circuits, Can replace electrolytic capacitor
- Used in Low ESR, high ripple current handling capabilities, Low ESL.

■ Typical Application

- Inverters of wind power
- Welders, Elevators, Motor drive system

技术要求 Specifications

引用标准 Reference Standard	IEC 61071 (GB/T 17702)
气候类别 Climatic Category	40/105/21
额定电压 Rated Voltage	500VDC ~ 2200VDC
容量范围 Capacitance range	10 μ F ~ 500 μ F
容量偏差 Capacitance Tolerance	J:±5%, K:±10%
介质损耗角正切 Dissipation factor tg δ d	≤0.0002 (50Hz, 20°C)
有效电流 Effective current	20A ~ 100A
脉冲能力 Withstand strike current ability	dv/dt > 20V/ μ s
杂散电感量 Stray inductance	< 40nH
绝缘电阻 Insulation Resistance	> 5 000s (20°C, 100V, 1min)
测试电压 Voltage Proof	极间 Between Terminals: 1.5VRdc (10s)
阻燃等级 Flame Rating	UL94V-0
最高使用海拔 Max Altitude	2000m
预期寿命 Lifetime Expectancy	> 100 000 h (θ hs=70°C, VR)
过电压 overvoltage	1.1VR:有负荷时间的30% 30% of on-load-dur
	1.15VR:30min/day
	1.2VR:5min/day
	1.3VR:1min/day

产品代码说明 Part number system

■ 14 位产品代码说明如下:

The 14 digits part number is formed as follow:



W L E

第 1~3 位: 型号代码

WLE

第 4~6 位: 标称容量

举例 : 806 = 80×10^6 PF = $80 \mu\text{F}$

127 = 12×10^7 PF = $120 \mu\text{F}$

第 7~10 位: 直流额定电压

举例: 0600=600 V 0900=900V

1200=1200V 1500=1500V

第 11 位: 容量偏差

J=±5%, K=±10%, M=±20%

第 12 位: 引出端代码

1 = 螺孔式 2 = 螺栓式

第 13~14 位: 内部特征码

Digit 1 to 3: Series code

WLE

Digit 4 to 6: Rated capacitance

For example: 806 = 80×10^6 PF = $80 \mu\text{F}$

For example: 127 = 12×10^7 PF = $120 \mu\text{F}$

Digit 7 to 10: DC rated voltage

0600=600 V 0900=900V

1200=1200V 1500=1500V

Digit 11: Capacitance tolerance

J=±5%, K=±10%, M=±20%

Digit 12: Terminals code

1 = female terminal 2 = male terminal

Digit 13 to 14: Internal use

■ 外形尺寸 Dimensions (mm)

Cn (μ F)	D \pm 1.0	H \pm 1.0	Ls (nH)	dV/dt (V/ μ F)	Irms @10KHz(A)	ESR @1kHz(m Ω)	Rth ($^{\circ}$ C/w)	Part number
600VDC								
120	87	41	25	37	90	0.90	6.8	WLE1270600-#**
200	87	51	32	25	90	0.72	5.9	WLE2070600-#**
270	87	65	40	20	80	0.90	5.0	WLE2770600-#**
350	115	51	32	25	100	0.60	4.1	WLE3570600-#**
500	115	65	40	20	100	0.55	3.5	WLE5070600-#**
700VDC								
100	87	41	25	40	90	1.10	6.8	WLE1070700-#**
150	87	51	32	32	90	0.85	5.9	WLE1570700-#**
220	87	65	40	22	80	0.94	5.0	WLE2270700-#**
250	115	51	32	32	100	0.76	4.1	WLE2570700-#**
350	115	65	40	22	100	0.69	3.5	WLE3570700-#**
900VDC								
68	87	41	25	45	80	1.39	6.8	WLE6860900-#**
100	87	51	32	37	80	1.43	5.9	WLE1070900-#**
140	87	65	40	25	75	1.25	5.0	WLE1470900-#**
200	115	51	32	37	100	0.81	4.1	WLE2070900-#**
300	115	65	40	25	100	0.80	3.5	WLE3070900-#**
1100VDC								
50	87	41	25	55	80	2.23	6.8	WLE5061100-#**
80	87	51	32	40	80	1.59	5.9	WLE8061100-#**
120	87	65	40	30	80	1.33	5.0	WLE1271100-#**
140	115	51	32	40	100	1.14	4.1	WLE1471100-#**
200	115	65	40	30	100	1.04	3.5	WLE2071100-#**
1200VDC								
40	87	41	25	60	70	2.39	6.8	WLE4061200-#**
60	87	51	32	45	70	1.86	5.9	WLE6061200-#**
80	87	65	40	35	65	1.99	5.0	WLE8061200-#**
100	115	51	32	45	100	1.59	4.1	WLE1071200-#**
150	115	65	40	35	100	1.17	3.5	WLE1571200-#**
1500VDC								
30	87	41	25	70	75	3.2	6.8	WLE3061500-#**
45	87	51	32	50	70	2.48	5.9	WLE4561500-#**
68	87	65	40	40	70	1.87	5.0	WLE6861500-#**
80	115	51	32	50	100	1.79	4.1	WLE8061500-#**
120	115	65	40	40	100	1.33	3.5	WLE1271500-#**

备注: 1. "-" 表示容量偏差。"- " = capacitance tolerance code, M= \pm 20%,K= \pm 10%,J= \pm 5%,

2. "#" 表示引出端代码, 引出端子可以选用螺柱式或螺孔式。"# " Terminals code, Terminals can be male or female

3. "Irms"是指环境温度下的最大电流有效值。在这种条件下, 热点温度将达到最高值。

"Irms"=Maxium r.m.s current at $\theta_{ambient}$ $\theta_{hotspot}$ Will reach the maximum value o this condition

4. "Rth"是指在自然冷却条件下, 电容器热点到环境的热阻。

"Rth" =Rth between hotspot and ambient on natural cooling condition.