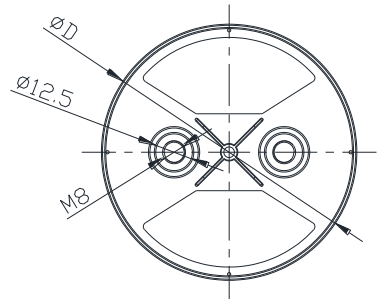
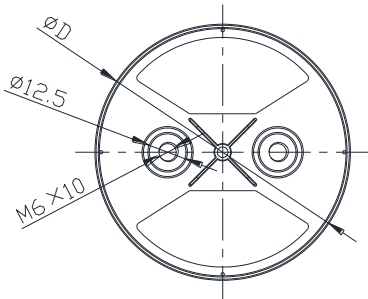
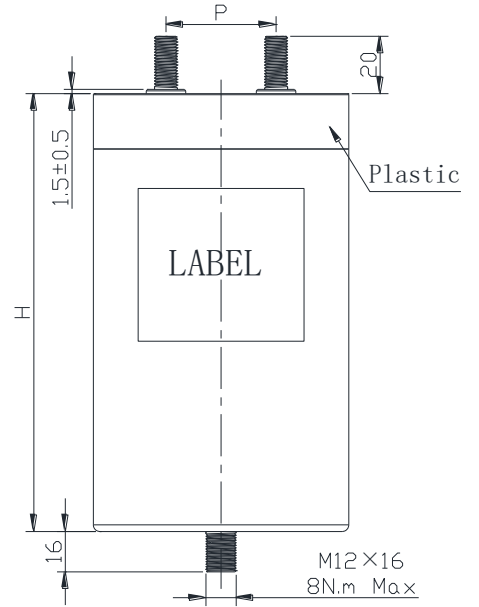
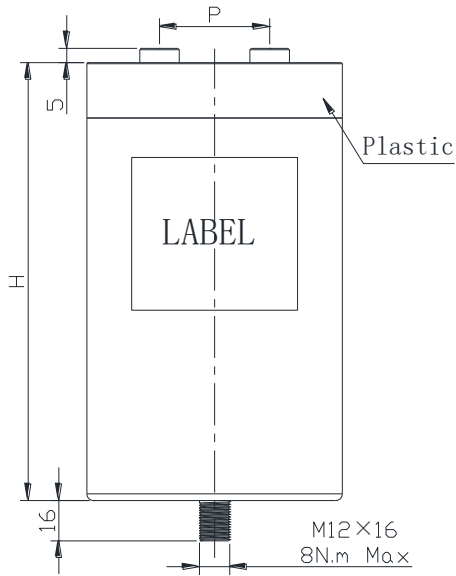


铝壳干式直流母线滤波电容器
DC-Link Capacitor (Dry-Type, Aluminum case)

■ 外形图 Outline Drawing(mm)



WLL Dimension code	
$\Phi D \pm 1.0$	$P \pm 1.0$
76	32
86	32
96	45
116	50
136	60

■ 特点

- 金属化安全膜，波浪分切技术
- 树脂填充：非 PCB，环氧树脂（干式）
- 直流滤波电路中可替代电解电容器
- 等效串联电阻小，能承受较大的纹波电流
- 自感小，有自愈性，寿命长

■ 冷却方式

- 自然风冷（或者强制风冷）

■ 主要用途

- 风能、太阳能发电用变频器
- 交通工具，如电动车和混合动力车
- 焊接设备，电梯，电机驱动

■ Features

- Metallized safe film structure, wave-cutting technology
- Resin filling: Non PCB, Epoxy resin (Dry type)
- Alternative electrolytic capacitors in dc filter circuit
- Used in DC-Link circuits, Can replace electrolytic capacitor
- Low ESL, Self-healing property, Long lifetime

■ Cooling way

- Natural air-cooled (or forced air cooling)

■ Typical Application

- Inverters of wind power and solar power
- Transportation: HEV or EV
- Welders, Elevators, Motor drive system

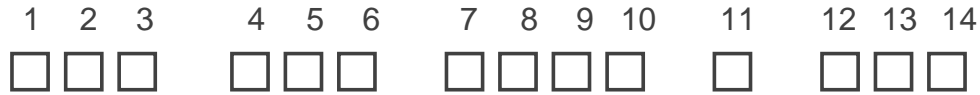
■ 技术要求 Specifications

引用标准 Reference Standard	IEC 61071 (GB/T 17702)	
气候类别 Climatic Category	40/85/21	
额定电压 Rated Voltage	500VDC ~ 4000VDC	
容量范围 Capacitance range	50 μ F ~ 4000 μ F	
容量偏差 Capacitance Tolerance	J:±5%, K:±10%	
介质损耗角正切 Dissipation factor tg δ d	≤0.0002 (50Hz, 20°C)	
有效电流 Effective current	30A ~ 100A (5kHz, 25°C)	
脉冲能力 Withstand strike current ability	dv/dt > 10V/ μ s	
杂散电感量 Stray inductance	< 1nH 每毫米的引线间距 (per mm of lead spacing)	
绝缘电阻 Insulation Resistance	> 5 000s (20°C, 100V, 1min)	
测试电压 Voltage Proof	极间 Between Terminals: 1.5VRdc (10s)	
	极壳之间 Terminals to Case: 2*Vi+1000VAC (10S, 50Hz)	
阻燃等级 Flame Rating	UL94V-0	
最大电极扭矩 MAX. Torque of terminals	M6: 3.5N.m	M8: 6N.m
最高使用海拔 Max Altitude	2000m	
预期寿命 Lifetime Expectancy	> 100 000 h (θ hs=70°C, VR)	
过电压 overvoltage	1.1VR:有负荷时间的30% 30% of on-load-dur	
	1.15VR:30min/day	
	1.2VR:5min/day	
	1.3VR: 1min/day	

产品代码说明 Part number system

■ 14 位产品代码说明如下:

The 14 digits part number is formed as follow:



W L L

第 1~3 位: 型号代码

WLL

第 4~6 位: 标称容量

举例 : 427 = 42×10^7 PF = 420 μ F

108 = 10×10^8 PF = 1000 μ F

第 7~10 位: 直流额定电压

举例: 0700=700 V 0900=900V

1100=1100V 2000=2000V

第 11 位: 容量偏差

J=±5%, K=±10%, M=±20%

第 12 位: 引出端代码

1 = 螺孔式 2 = 螺栓式

第 13~14 位: 内部特征码

Digit 1 to 3: Series code

WLL

Digit 4 to 6: Rated capacitance

For example: 427 = 42×10^7 PF = 420 μ F

108 = 10×10^8 PF = 1000 μ F

Digit 7 to 10: DC rated voltage

0700=700 V 0900=900V

1100=1100V 2000=2000V

Digit 11: Capacitance tolerance

J=±5%, K=±10%, M=±20%

Digit 12: Terminals code

1 = female terminal 2 = male terminal

Digit 13 to 14: Internal use

■ 外形尺寸 Dimensions (mm)

Cn (μ F)	D \pm 1.0	H \pm 2.0	ESR max 1kHz (m Ω)	Ls max (nH)	I _{max} (A)	Θ _{max} ($^{\circ}$ C)	Part number
700VDC							
360	76	95	1.8	70	55	60	WLL3670700-#**
450	76	125	2.1	70	60	60	WLL4570700-#**
480	86	95	1.5	65	60	60	WLL4870700-#**
550	76	145	2.4	70	50	60	WLL5570700-#**
600	86	125	1.8	60	50	60	WLL6070700-#**
650	76	175	2.0	65	55	60	WLL6570700-#**
700	86	145	1.9	60	60	60	WLL7070700-#**
900	86	175	1.7	60	60	60	WLL9070700-#**
1100	116	125	1.4	55	70	60	WLL1080700-#**
1400	116	145	1.2	60	75	60	WLL1480700-#**
1700	116	175	1.3	60	75	60	WLL1780700-#**
2200	136	145	0.9	60	80	60	WLL2280700-#**
2800	136	175	1.1	60	80	60	WLL2880700-#**
900VDC							
260	76	95	2.8	70	47	60	WLL2670900-#**
360	86	125	2.4	70	45	60	WLL3670900-#**
380	76	95	2.8	65	55	60	WLL3870900-#**
450	76	145	3.2	70	43	60	WLL4570900-#**
500	86	125	3.2	60	50	60	WLL5070900-#**
600	86	175	2.6	60	49	60	WLL6070900-#**
750	86	145	2.2	60	60	60	WLL7570900-#**
1000	116	175	1.8	55	65	60	WLL1080900-#**
1100	116	125	1.6	50	65	60	WLL1180900-#**
1400	136	145	2.0	55	80	60	WLL1480900-#**
1500	116	175	2.4	55	80	60	WLL1580900-#**
1700	136	145	1.8	55	85	60	WLL1780900-#**
2100	136	175	2.1	55	85	60	WLL2180900-#**
1100VDC							
180	76	95	2.0	80	42	60	WLL1871100-#**
220	86	95	2.2	60	45	60	WLL2271100-#**
240	76	125	2.4	70	45	60	WLL2471100-#**
300	76	145	2.9	70	42	60	WLL3071100-#**
330	86	125	3.1	70	40	60	WLL3371100-#**
360	76	175	3.3	75	55	60	WLL3671100-#**
420	86	145	2.2	60	54	60	WLL4271100-#**
500	86	175	1.6	60	59	60	WLL5071100-#**
650	116	125	1.6	55	58	60	WLL6071100-#**
750	116	145	1.5	60	59	60	WLL7571100-#**
900	136	125	1.3	60	70	60	WLL9071100-#**
940	116	175	1.2	55	70	60	WLL9471100-#**
1000	136	145	1.1	60	75	60	WLL1081100-#**
1400	136	175	0.9	70	80	60	WLL1481100-#**

■ 外形尺寸 Dimensions (mm)

Cn (μ F)	D max	H max	ESR max (m Ω)	Ls max (nH)	I _{max} (A)	Θ _{max} ($^{\circ}$ C)	Part number
1300VDC							
120	76	95	2.9	75	39	60	WLL1271300-#**
160	76	125	3.7	70	37	60	WLL1671300-#**
170	86	95	3.7	70	37	60	WLL1771300-#**
210	76	145	4.1	70	36	60	WLL2171300-#**
230	86	125	2.3	60	52	60	WLL2371300-#**
240	76	175	2.3	60	50	60	WLL2471300-#**
270	86	145	3.3	65	44	60	WLL2771300-#**
320	86	175	1.9	55	55	60	WLL3271300-#**
430	116	125	1.6	60	55	60	WLL4371300-#**
520	116	145	1.8	60	53	60	WLL5271300-#**
630	116	175	1.2	60	60	60	WLL6371300-#**
660	136	125	1.7	50	70	60	WLL6671300-#**
750	136	145	1.7	60	80	60	WLL7571300-#**
900	136	175	1.4	60	80	60	WLL9071300-#**
1500VDC							
90	76	95	3.1	80	35	60	WLL9061500-#**
120	76	125	3.8	70	40	60	WLL1271500-#**
130	86	95	2.8	60	38	60	WLL1371500-#**
150	76	145	4.2	75	40	60	WLL1571500-#**
170	76	175	4.8	85	45	60	WLL1771500-#**
200	86	145	3.6	60	50	60	WLL2071500-#**
230	116	95	2.4	60	60	60	WLL2371500-#**
240	86	175	4.5	60	55	60	WLL2471500-#**
320	116	125	2.4	60	65	60	WLL3271500-#**
390	116	145	2.6	60	70	60	WLL3971500-#**
470	116	175	3.1	60	70	60	WLL4771500-#**
2000VDC							
50	76	95	4.8	80	30	60	WLL5062000-#**
60	86	95	4.1	60	30	60	WLL6062000-#**
70	76	125	6.5	80	30	60	WLL7062000-#**
100	86	125	6.8	60	35	60	WLL1072000-#**
150	86	175	8.5	80	40	60	WLL1572000-#**
190	116	125	3.2	60	60	60	WLL1972000-#**
220	116	145	3.5	60	60	60	WLL2272000-#**
270	136	125	3.4	60	60	60	WLL2772000-#**
300	116	175	4.2	60	60	60	WLL3072000-#**

备注: 1. "-" 表示容量偏差。"- " = capacitance tolerance code, M=±20%,K=±10%,J=±5%,

2. "# " 表示引出端代码, 引出端子可以选用螺栓式或螺孔式。"# " Terminals code, Terminals can be male or female

3. "I_{rms}" 是指在环境温度下的最大电流有效值。在这种条件下, 热点温度将达到最高值。

"I_{rms}" = Maxium r.m.s current at Θ _{ambient} Θ _{hotspot} Will reach the maximum value o this condition

4. "R_{th}" 是指在自然冷却条件下, 电容器热点到环境的热阻。

"R_{th}" = R_{th} between hotspot and ambient on natural cooling condition.

5. 上表中所述的尺寸为本产品系列中的常用壳号尺寸, 其它规格尺寸也可生产。引用端尺寸参照国家标准

Sizes presented above are normally used dimension, other dimension can be produced in pursuance of customer's request. Sizes of terminals please refer to corresponding national standard.